

DENTAL CHAIR

ACUTRAC™

OPERATING INSTRUCTIONS

IMPORTANT

This manual provides operating instructions for BELMONT ACUTRAC. The instructions contained in this booklet should be thoroughly read and understood before operating chair.

After the installation is completed, file this manual and refer back to it for future maintenance.

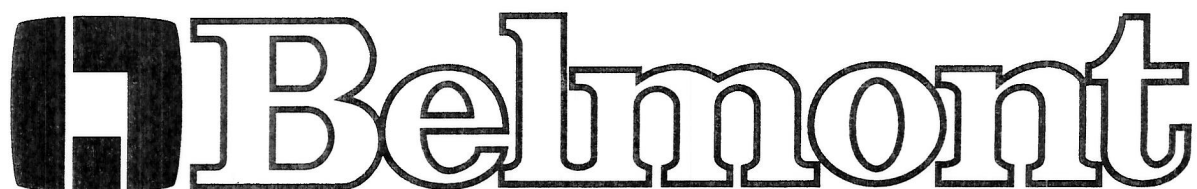
The logo for Belmont, featuring a stylized square icon on the left and the word "Belmont" in a large, outlined, serif font to its right.

TABLE OF CONTENTS

	Page
1. OVERALL VIEW AND MAJOR COMPONENTS -----	3
2. DIMENSIONS AND SPECIFICATIONS -----	4
3. OPERATING INSTRUCTIONS	
3-1. MAIN SWITCH -----	5
3-2. CONTROLS -----	5
3-3. SAFETY LOCK DEVICE -----	6
3-4. HEADREST OPERATIONS -----	6
4. AUTO MODE POSITION ADJUSTMENT -----	6
5. CARE AND MAINTENANCE -----	7

1. OVERALL VIEW AND MAJOR COMPONENTS

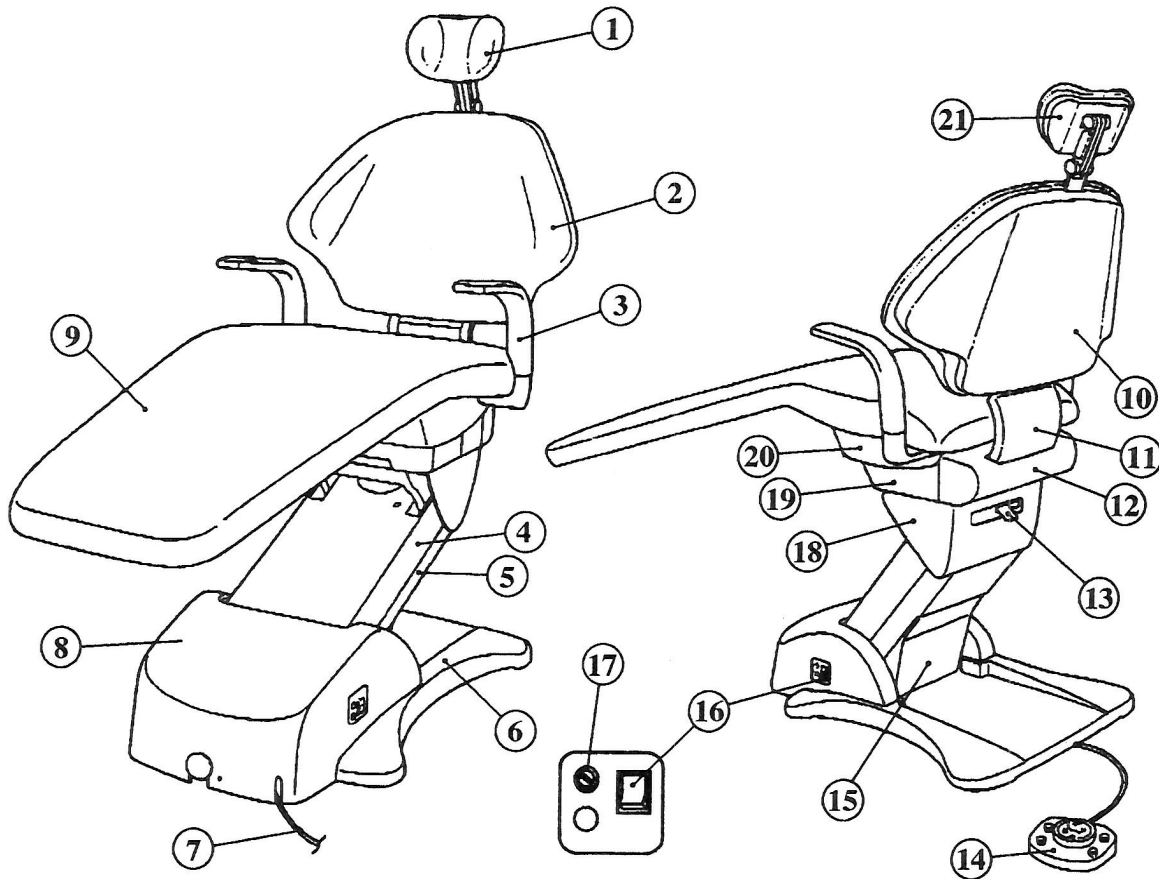


Fig.1-1 Overall View

Major Components

- | | |
|----------------------|--------------------------------|
| ① Headrest | ⑩ Backrest Cover |
| ② Backrest | ⑪ Back Support |
| ③ Armrest (Left) | ⑫ Rotating Flange Cover (Rear) |
| ④ Main Link Cover | ⑬ Lock Lever |
| ⑤ Sub Link Cover | ⑭ Foot Switch Ass'y |
| ⑥ Base Plate | ⑮ Sub Link Cover (Lower) |
| ⑦ Power Supply Cable | ⑯ Main Power Switch |
| ⑧ Pump Cover | ⑰ Fuse Holder |
| ⑨ Seat | ⑱ Dome Casting Cover |
| | ⑲ Rotating Flange Cover |
| | ⑳ Tilt Cover |
| | ㉑ Headrest Cover |

2. DIMENSIONS AND SPECIFICATIONS

2-1. DIMENSIONS

- inches-

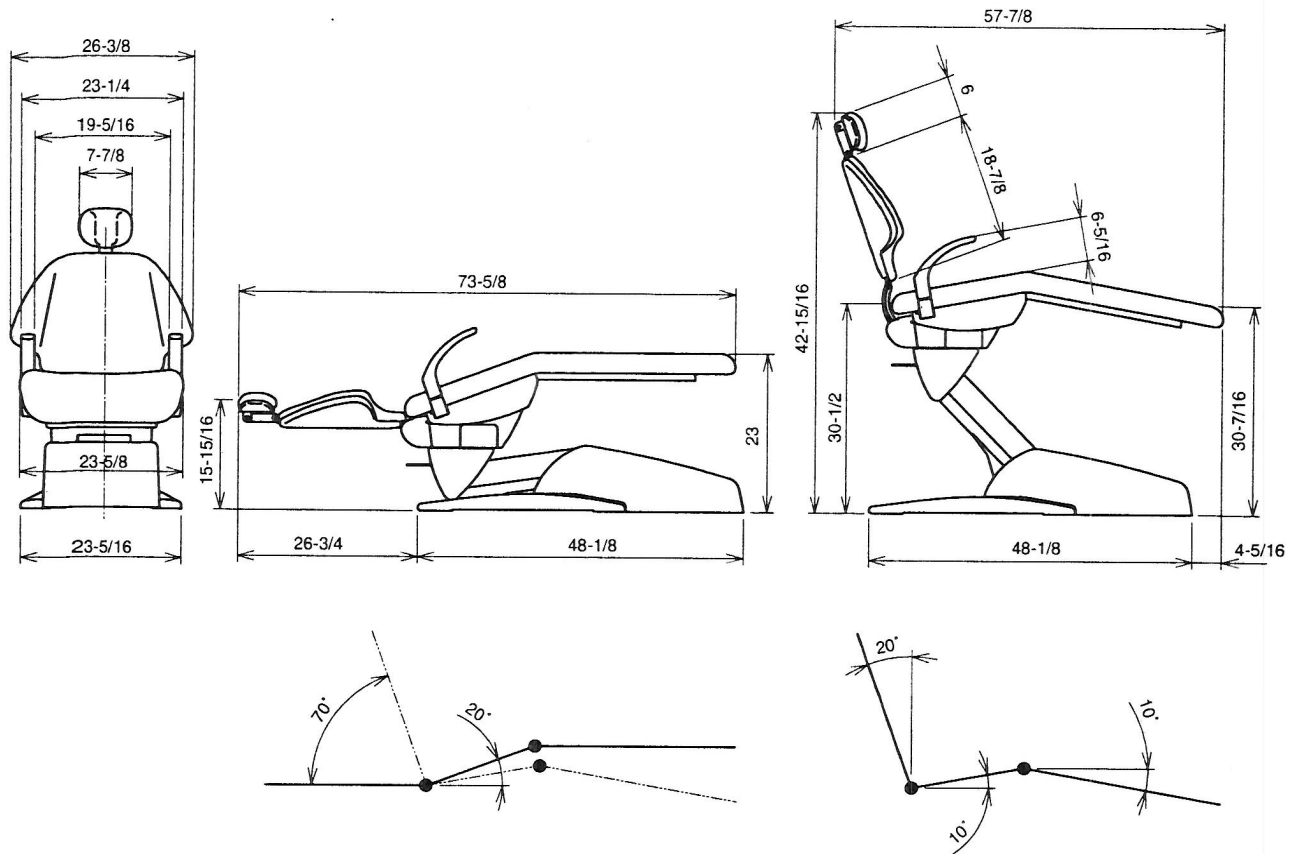


Fig.2-1 Dimensions

2-2. SPECIFICATIONS

Lifting/Lowering mechanism	Hydraulic, Cantilever type
Initial height/stroke	15- 1/2" (395mm) / 15" (380mm)
Backrest Reclining mecha.	Axis mechanism
Backrest Reclining angle	0° (Horizon) ~ 70°
Seat tilting	Synchronized with Backrest
Seat tilting	10° ~ 20°
Preset positions	Microcomputer Controlled
	P1, P2, LP (Last position)& AR (Auto-return)
Chair rotation angle	30 ° Each (Left & Right)
Headrest	Dual axis type
Safety switch	Under the main link
Emergency stop	Any Switch can cancel the automatic movement

3. OPERATING INSTRUCTIONS

3-1. MAIN SWITCH (Fig.1-1 & Fig.3-1)

Turn on the main switch located the left side pump cover.

A green lamp in the main switch illuminates.

⚠ CAUTION

Operate the main switch only by hand.
Turn off the main switch after daily operation.

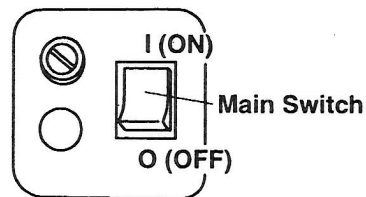


Fig.3-1 Main Switch

3-2. CONTROLS (Fig.3-2)

⚠ CAUTION

Before operating the chair, confirm safety for the patient and the operator.

All chair electrical movements can be controlled by the foot switch.

(1) Manual Mode Control

A. Seat Lifting

Keep depressing (c) side of the foot switch disc until the seat is lifted up to the desired position.

B. Seat Lowering

Keep depressing (d) side of the foot switch disc until the seat is lowered to the desired position.

C. Backrest Reclining

Keep depressing (b) side of the foot switch disc until the backrest is reclined to the desired position.

D. Backrest Raising

Keep depressing (a) side of the foot switch disc until the backrest is raised up to the desired position.

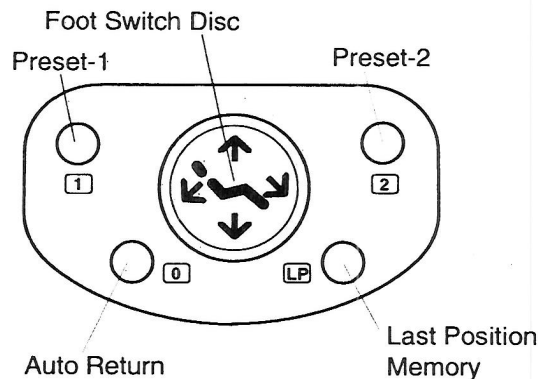


Fig.3-2 Foot Switch

(2) Auto Mode Control

E. Preset Control

ACUTRACK chair has two preset positions. (Preset-1 and Preset-2)

Momentarily depress (1) button on the foot switch, the chair will move to the preset-1 position automatically. (Preset-2 is operated by (2) button.)

F. Auto Return

Momentarily depress (0) button on the foot switch, the chair will return to the initial position (The seat is fully lowered and the backrest is upright position.),

G. Last Position Memory

Momentarily depress (LP) button at reclined backrest position (treatment position), the backrest will raise to the mouth rinsing position automatically.

Momentarily depress (LP) button again, the backrest will recline to the previous treatment position automatically.

Note : Seat height can not be changed by (LP) button.

H. Emergency Stop

During automatic procedure (Preset, Auto return and Last position memory), depressing any side of disc or button on the foot switch will cancel the automatic movement immediately.

Note : Do not keep depressing auto mode button (**1**) (**2**) (**0**) (**LP**) over 3 seconds.
Memorized position in auto mode may be changed.

3-3. SAFETY LOCK DEVICE (Fig.3-3)

All chair movements can be stopped automatically by the safety lock device when pressure is detected between the base and the sub link cover. In case working the safety lock device, lift up the seat and remove the cause of pressure.

Note : Seat lifting and backrest raising can be operated when the safety lock device is working.

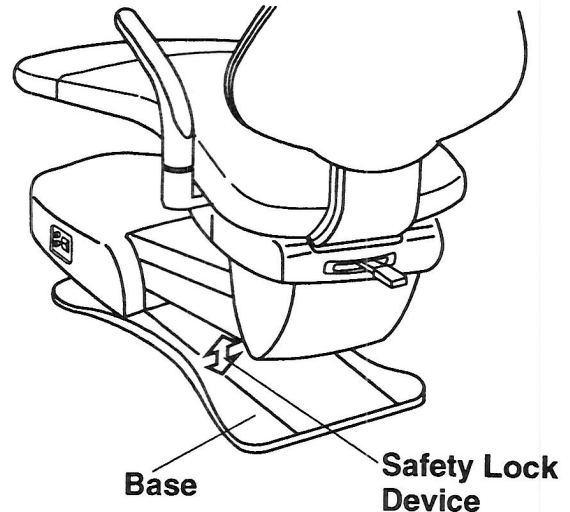


Fig.3-3 Safety Lock Device

3-5. HEADREST (Fig.3-4)

(1) Height Adjustment

Height of headrest can be adjusted simply by pulling headrest up or down due to friction mount incorporated in backrest.

(2) Angle Adjustment

Angle of headrest can be changed by grasping headrest release lever on headrest mechanism.

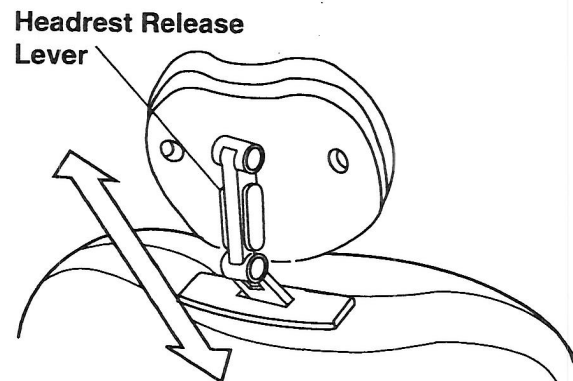


Fig.3-4 Headrest

4. AUTO MODE POSITION ADJUSTMENT

(1) Preset position Adjustment (Fig.4-1)

Two preset positions can be set.

- A. Set the seat and the backrest to the desired preset position by manual control.
- B. Keep depressing (**1**) button until buzzer sounds (in about 3 seconds), then release it.
- C. The position is memorized in Preset-1.
- D. Preset-2 can be memorized by depressing (**2**) button as following A to C.

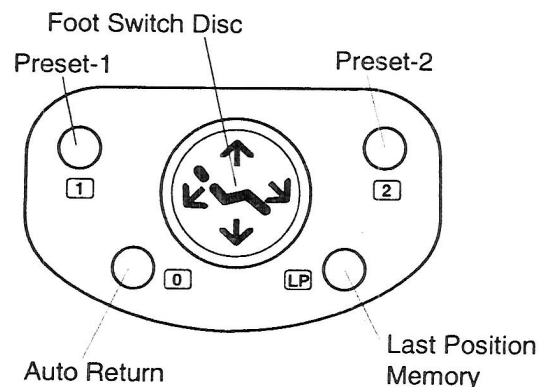


Fig.4-1 Foot Switch

(2) Mouth Rinsing Position Adjustment (Fig.4-1)

Mouth rinsing position in last position memory movement can be adjusted.

A. Set the backrest to the desired mouth rinsing position by manual control.

B. Keep depressing (**LP**) button until buzzer sounds (in about 3 seconds) and release the button.

C. This backrest position is memorized as mouth rinsing position.

5. CARE AND MAINTENANCE

Other than cleaning, no scheduled maintenance of the chair is required.

⚠ CAUTION

Turn OFF the main switch with the lowest seat position after daily operation or in long term interval.

Upholstery can be cleaned with neutral detergent.

⚠ CAUTION

Do not drench the chair for cleaning.

Do not use polishing powder, solvents and strong disinfectant for cleaning.

After Cleaning, wipe with a dry soft cloth and keep the chair dry.

Do not use alcohol Bared disinfectants.

Disinfectant residue on the upholstery must be removed on a daily basis.

Suggested Disinfectant Application :

1. Clean dirt and stains with mild soap and water.
2. Moisten an applicator with disinfectant; mildly wipe the material with the disinfectant.
3. Do not allow the disinfectant to soak in or dry on the surface; wipe it dry with dry cloth.

PLEASE KEEP LIQUIDS AWAY FROM MAIN POWER SWITCH !

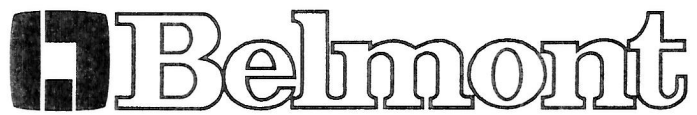
When the switch get wet, it can self active, or perhaps short out and damage other system components.

Please **DO NOT** spray disinfectants director AT or INTO main power switch.

Simply spray these solutions onto a cloth and wipe down the control surface.

Be careful not to saturate the cloth... This will prevent liquids from flowing into the switch.

NOTE



BELMONT EQUIPMENT, Division of Takara Belmont, USA, Inc.

101 Belmont Drive Somerset, New Jersey 08873 U.S.A. TEL.:(732) 469-5000 / (800) 223-1192 Fax.:(732)526-6322 / (800) 280-7504
TAKARA CO, CANADA LTD.

2076 S. Sheridan Way, Mississauga, Ont., L5J2M4, Can. TEL.:(905) 822-2755 Fax.:(905)822-6203