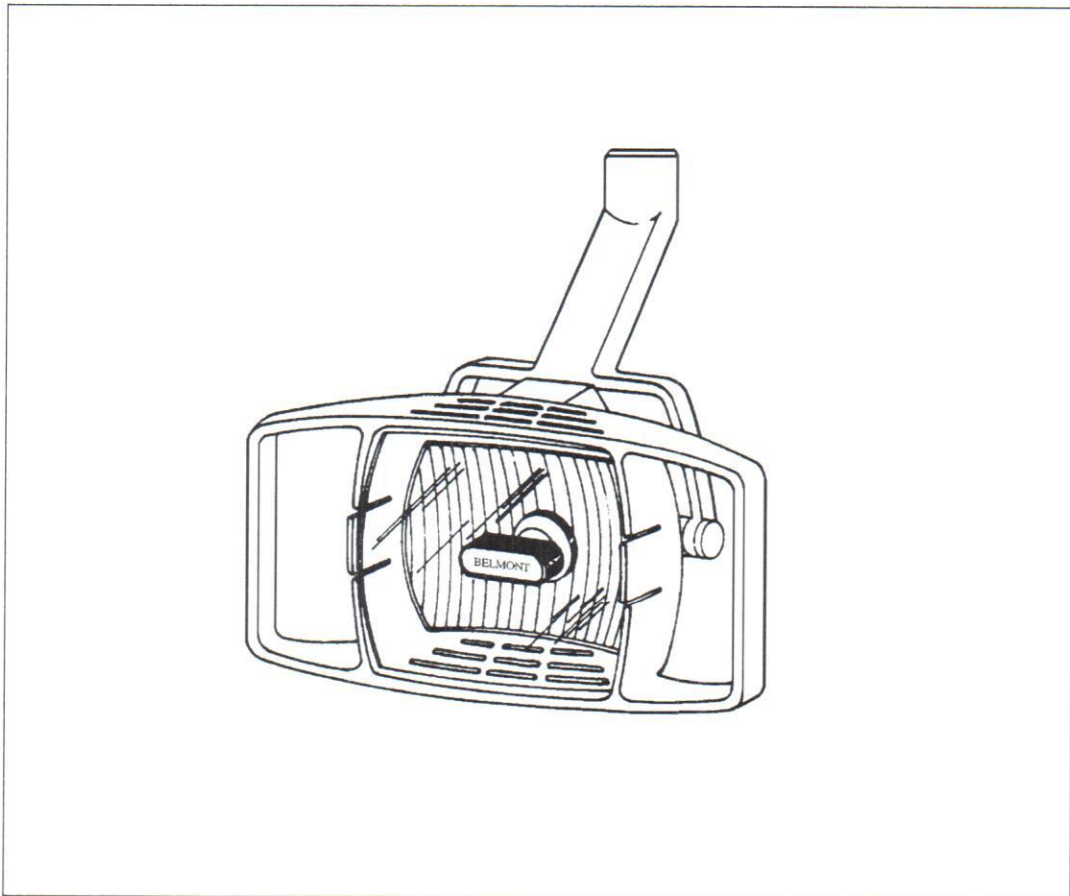


X-CALIBUR

HLT

TRACK MOUNTED DENTAL LIGHT



INSTALLATION and OPERATING
INSTRUCTIONS

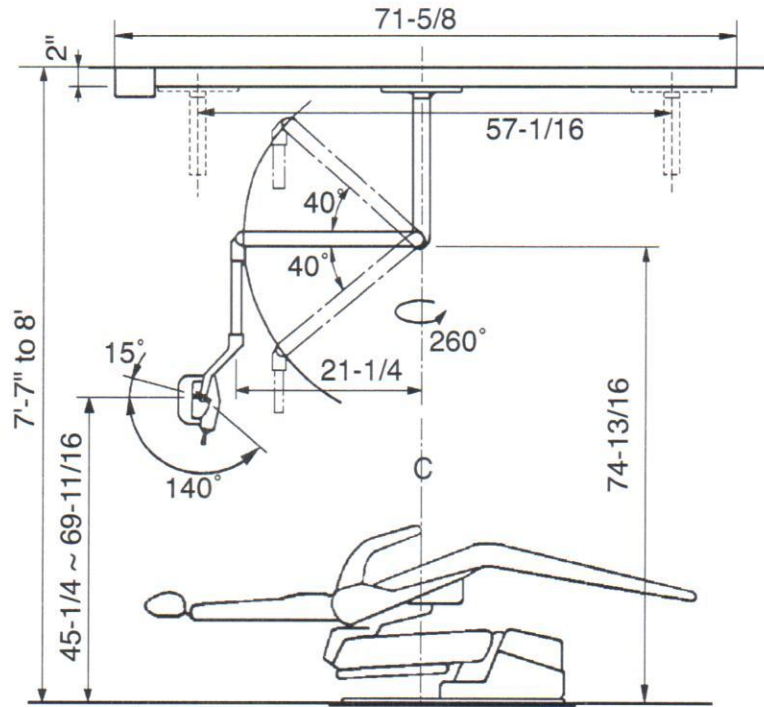
 **Belmont**

Rev.5

TABLE OF CONTENTS

	Page No.
DIMENSIONS	3
SPECIFICATIONS	3
WIRING DIAGRAM	3
BUILDING PREPARATION	4
CEILING PREPARATION	5
ELECTRICAL PREPARATION	6
INSTALLATION INSTRUCTIONS	6
MOUNTING TRACK	6
TROLLY INSTALLATION	7
TRANSFORMER INSTALLATION	7
CLEANING	8
BULB CHANGING	8

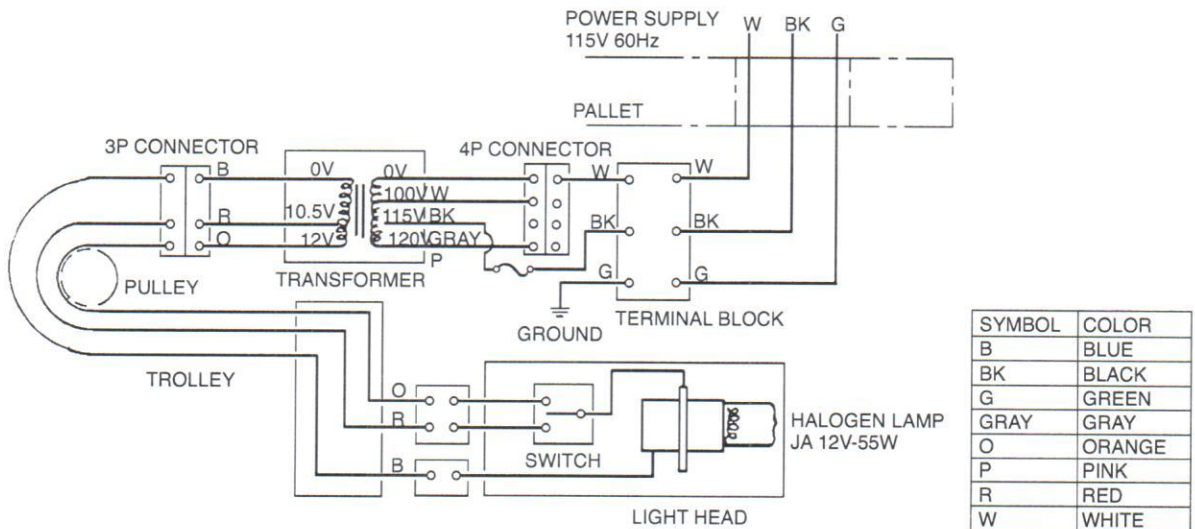
DIMENSIONS



SPECIFICATIONS:

Input voltage	115V, 60Hz, 0.53A
Output voltage	12V high, 10.5V low
Type bulb	Tungsten halogen, Type JA 12V-55W
Focal distance	28" (725 mm)
Light output	2600 fc - High, 14000 fc - Low
Color temperature	3800° Kelvin
Light pattern	3" x 7" at 28" focal distance (75 x 180 at 725 mm)

WIRING DIAGRAM



HLT TRACK LIGHT INSTALLATION INSTRUCTIONS

1. BUILDING PREPARATION

1.1. CEILING PREPARATION - For safety in operation as well as stability of the light source, the importance of proper ceiling structure cannot be overemphasized. In general, a ceiling structure capable of supporting 200 lb. dead weight is required.

1.1.1. In conventional ceilings with **joists perpendicular** to center line of light, attach pallet by **at least 6 - 5/16 x 3"** lag screws. Suitable holes are provided in pallet for most installations, utilizing 16" or 12" cc ceiling joists. For other spacings or locations, additional holes can be cut in pallet. (SEE FIGURE 1.)

1.1.2. For conventional ceilings with **joists parallel** to center line of light, cross blocks must be installed in 3 places to allow mounting with **at least 6 - 5/16 x 3"** lag screws. (SEE FIGURE 2.)

1.1.3. For suspended ceilings, appropriate rigid structure must be attached to ceiling framework to provide 200 lb. dead weight capacity. (SEE FIGURE 3.)

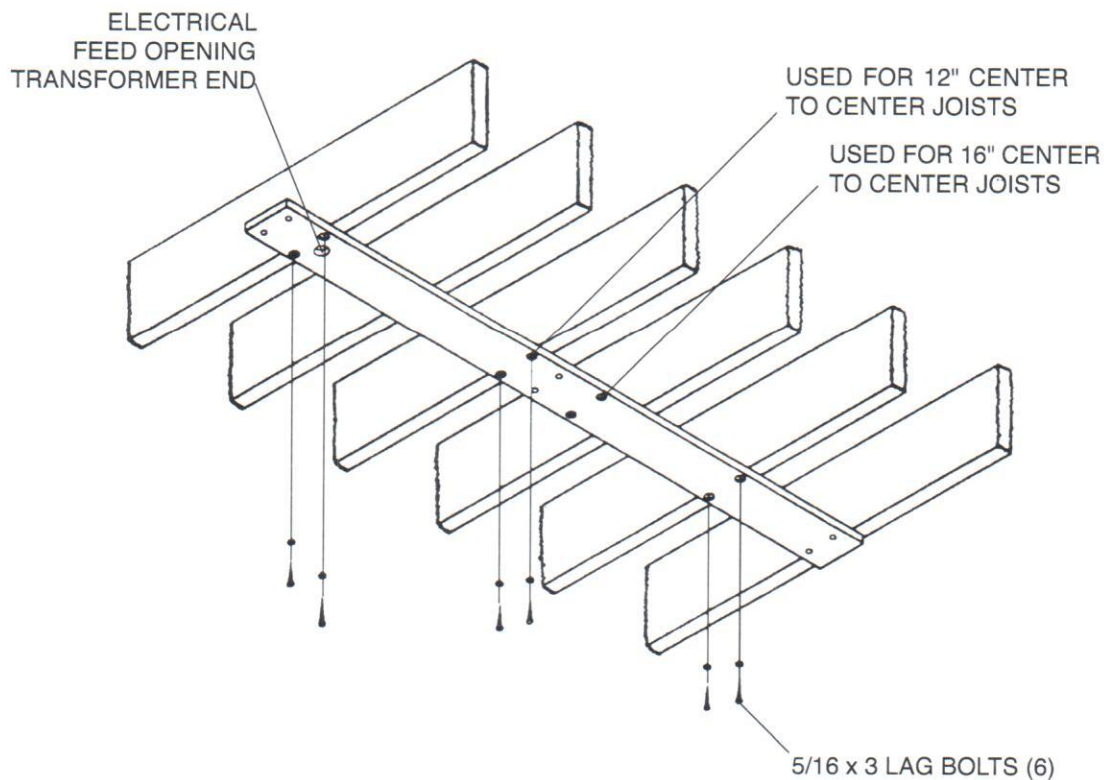


FIGURE 1 (1.1.1.)

CEILING PREPARATION

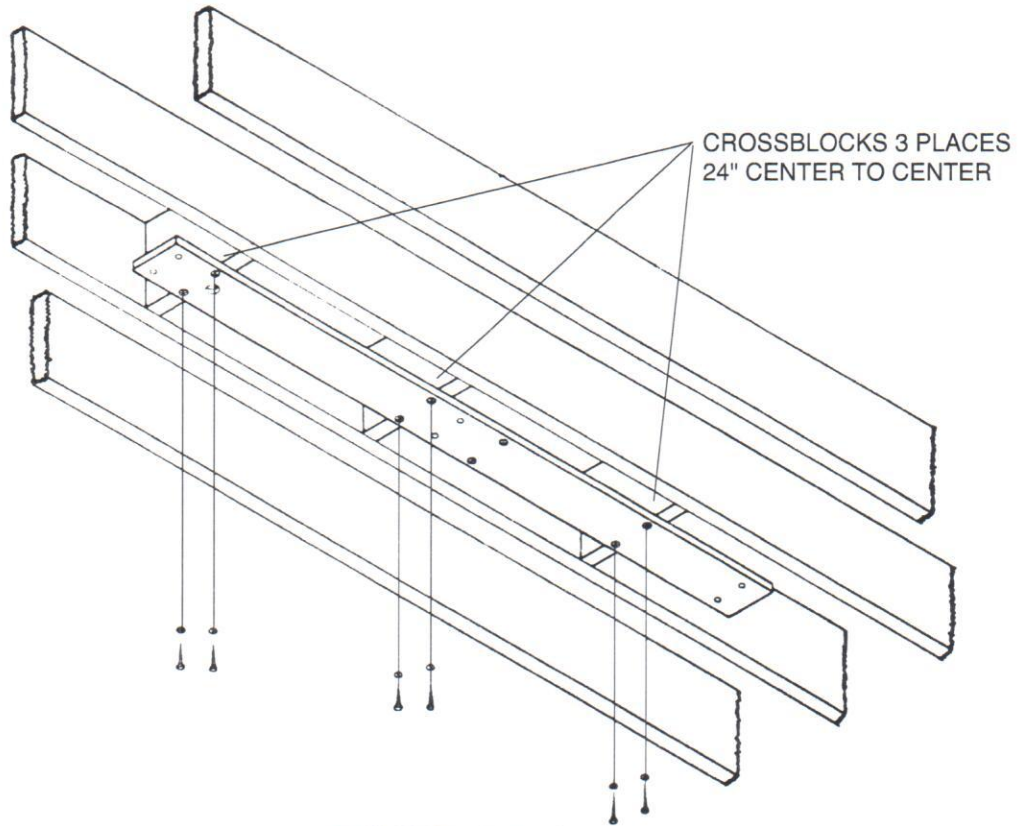


FIGURE 2 (1.1.2.)

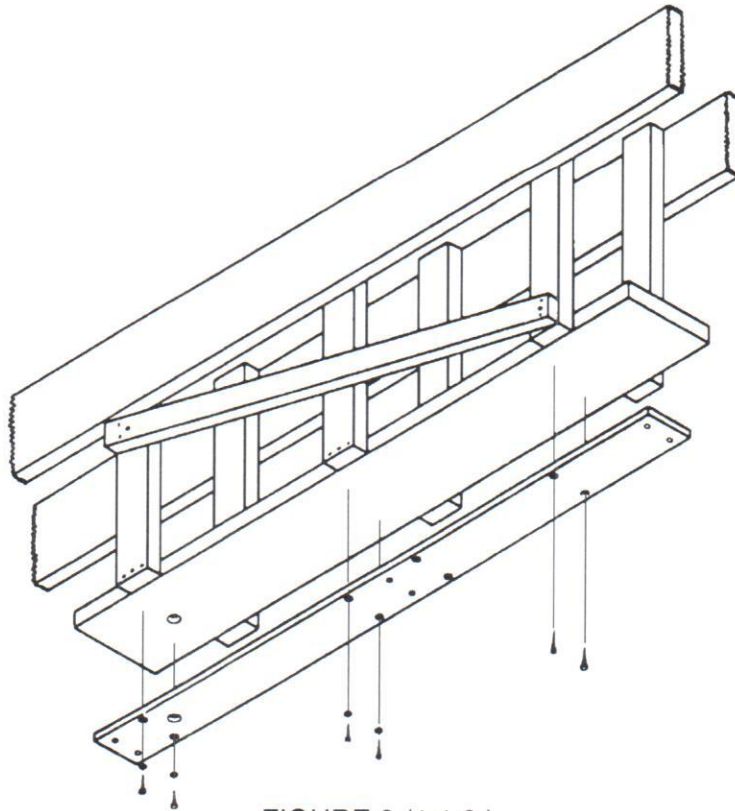


FIGURE 3 (1.1.3.)

HLT TRACK LIGHT INSTALLATION INSTRUCTIONS

1.2. ELECTRICAL PREPARATION - Refer to **FIGURE 4** for location of electrical feed opening in pallet, provide 3 wire, 115 V, 60Hz circuit (15 amp. fuse or breaker through flexible conduit with enough slack to protrude at least 2" below pallet when installed. Terminate conduit with 1/2" body box connector suitable for mounting through 3/16 thickness. A readily accessible shut-off switch for this circuit is recommended. Use wiring suitable for 90°C service. Installation to be done by a licensed electrician only, in accordance with the National Electrical Code(in the USA) or Canadian Electrical Code(in Canada), and local electrical codes as applicable.

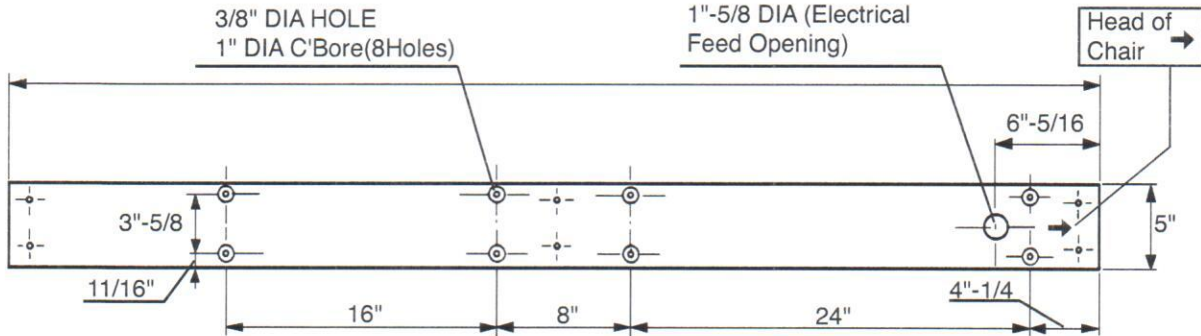


FIGURE 4 (1.2.)

2. INSTALLATION

2.1. Mount pallet to prepared ceiling structure (See section 1.1.) guiding conduit through electrical feed opening. **CONFIRM PALLET IS LEVEL.**

2.2. MOUNTING TRACK

- 2.2.1. Place track against pallet and slightly engage two mounting bolts (5/16 - 18 x 1) at end opposite the electrical feed opening.
- 2.2.2. Allowing the free end to hang down slightly for access, install the conduit box connector to the track.
- 2.2.3. Finish bolting track securely to pallet.
- 2.2.4. Connect wires from feed to terminal block.

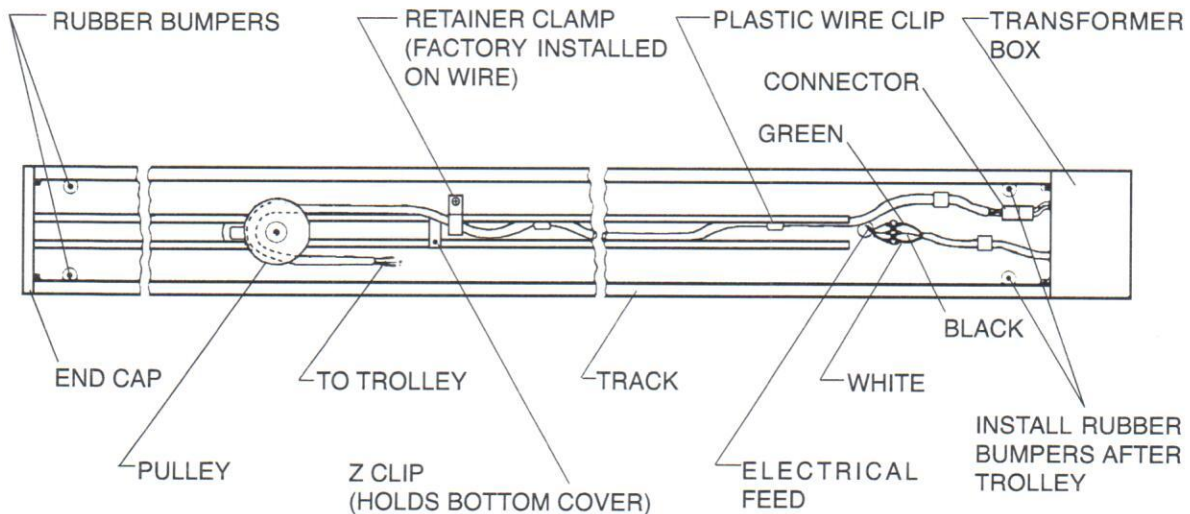


FIGURE 5 (2.2.4)

HLT TRACK LIGHT INSTALLATION INSTRUCTIONS

2.3. TROLLEY INSTALLATION (FIGURE 5)

- 2.3.1. Slide trolley onto track (end near electrical feed opening) with arrow on trolley oriented toward pulley on track.
- 2.3.2. Carefully guide wire from trolley, around spring loaded pulley and back toward end of track.
- 2.3.3. Attach retainer clamp (factory installed on trolley wire - DO NOT MOVE) to small screw in track (near Z clip in center). Clip free end of trolley wire into plastic clip near end.
- 2.3.4. Install two rubber bumpers (packed in carton box) at end of track in holes provided.
- 2.3.5. Check operation of trolley. It is factory adjusted to provide smooth effortless travel, without play; however, rollers can be readjusted if necessary. Loosen set screw and adjust socket cap screw to vary roller clearance. (SEE FIGURE 6.)

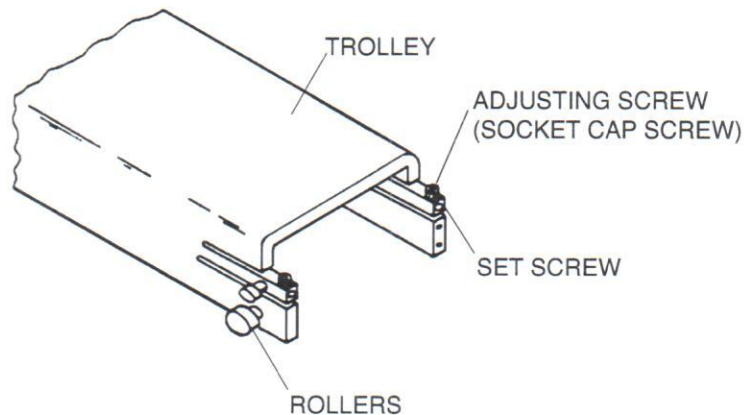


FIGURE 6

2.4. TRANSFORMER INSTALLATION (FIGURE 5)

- 2.4.1. Unpack transformer/housing assembly and mount to track (end near electrical opening) with screws provided.
- 2.4.2. Attach pigtail leads (green/black/white) to corresponding power line wires at terminal block. Retain wires under plastic clip.
- 2.4.3. Connect plug-in connector to trolley wire.
- 2.5. Carefully slide bottom cover onto track from free end (decal end of cover first). Be sure to engage lip into transformer housing and guide-clip onto Z clip.
- 2.6. Install end-cap with screws provided.
- 2.7. Carefully inspect operation of light.
- 2.7.1. Slide trolley back and forth checking for binding or rubbing.
- 2.7.2. Confirm that swing arm is properly adjusted to stay where it is placed. If necessary, move head up or down to expose appropriate cross drilled nut and adjust with adjusting bar provided. (SEE FIGURE 7.)
- 2.7.3. Turn on power and check electrical operation of light.

HLT TRACK LIGHT SERVICE INSTRUCTIONS

3. CLEANING

- 3.1. Clean **Clear Plastic Parts** with mild detergent and water - front lens can be removed by carefully bowing out the middle.
- 3.2. Clean **Reflector** with alcohol on a soft lintless cloth - only when necessary.
- 3.3. Clean **Arms & other parts** with mild soap or non-abrasive household cleaner.

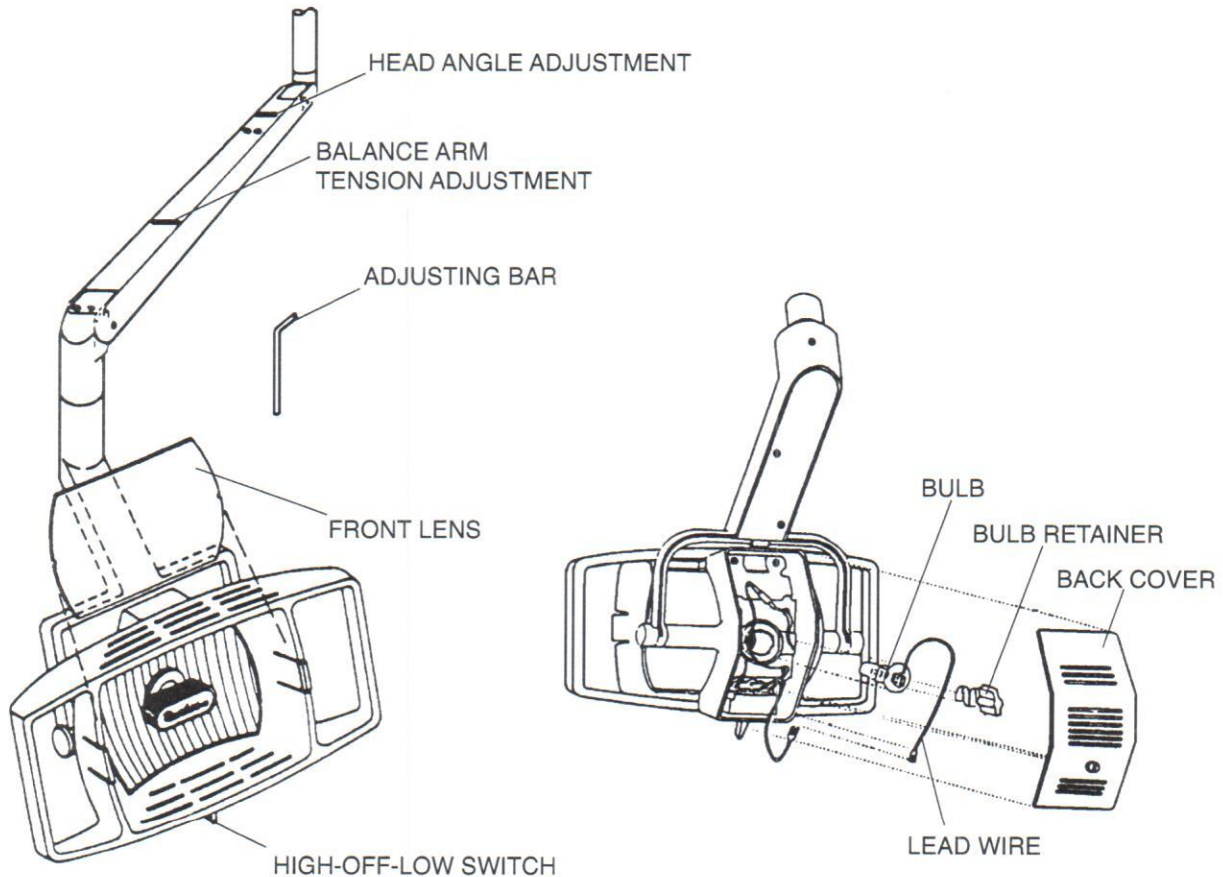


FIGURE 7

4. BULB CHANGING

- 4.1. To install replacement bulb (Belmont H-3), turn unit off and remove back cover.
- 4.2. Push in and turn counterclockwise knob of bulb retainer to remove bulb retainer.
- 4.3. Remove bulb by grasping lead wire and pull bulb from housing. Disconnect lead wire when bulb is completely removed.
- 4.4. Clean new replacement bulb surface with alcohol, attach lead wire and insert new bulb into housing.
- 4.5. After new bulb is seated in housing, insert and lock bulb retainer into position.

Belmont

BELMONT EQUIPMENT CORPORATION
101 Belmont Drive, Somerset, N.J. 08873, U.S.A.
(732)469-5000, Toll Free (800) 223-1192
2076 S. Sheridan Way, Mississauga, Ont., Canada
(905) 822-2755